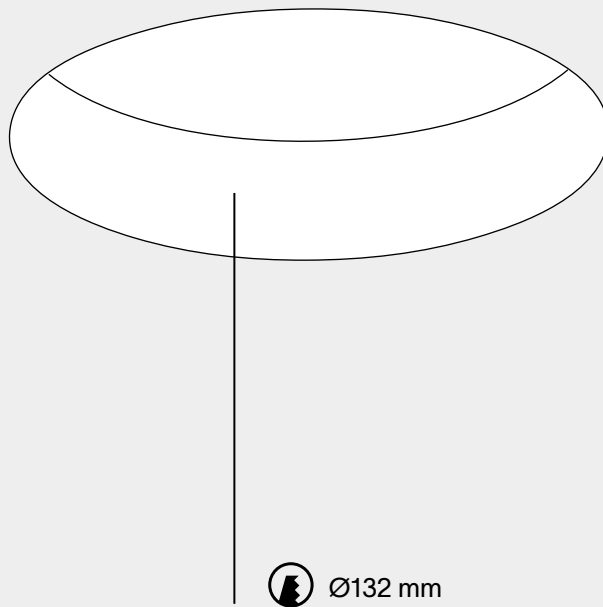


pradovent | trim Ø125 E

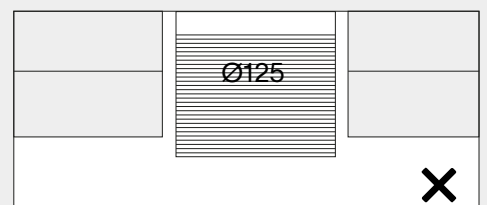
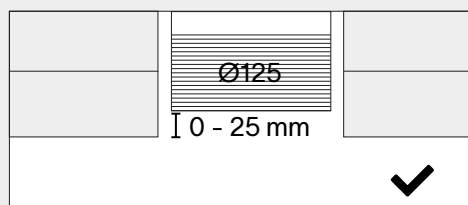
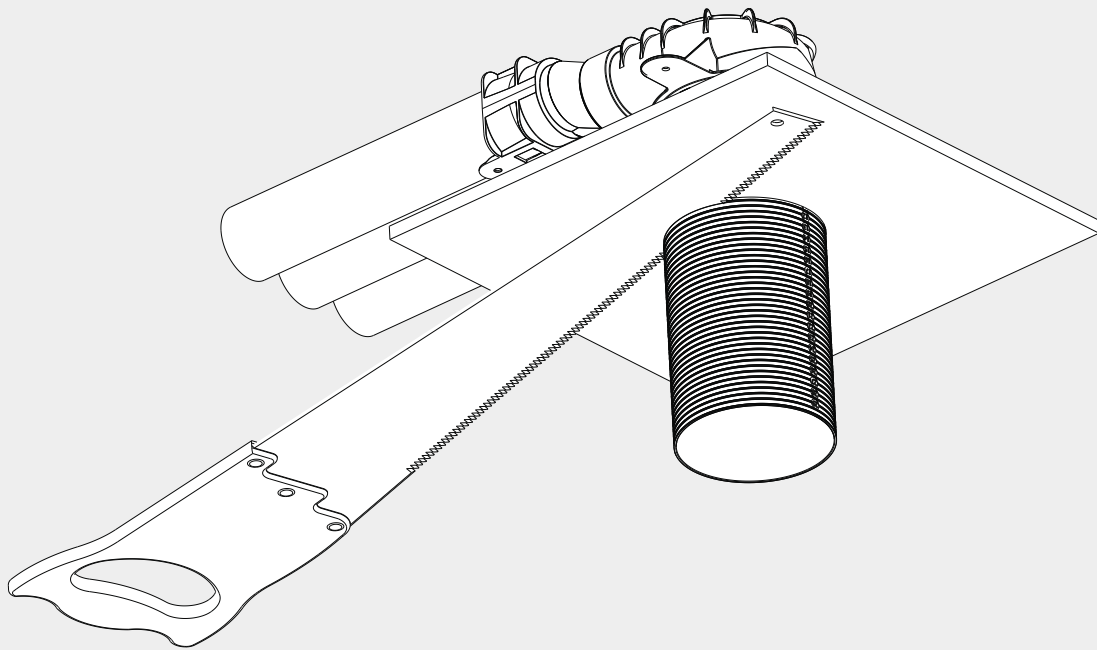
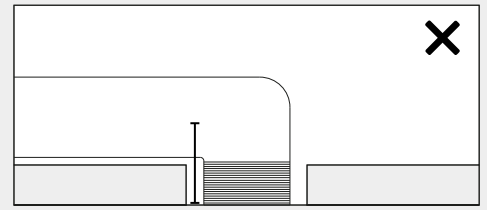
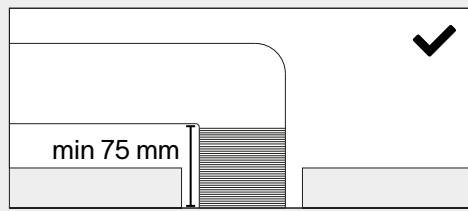
installation instruction

1

air flow: max. 90m³/h

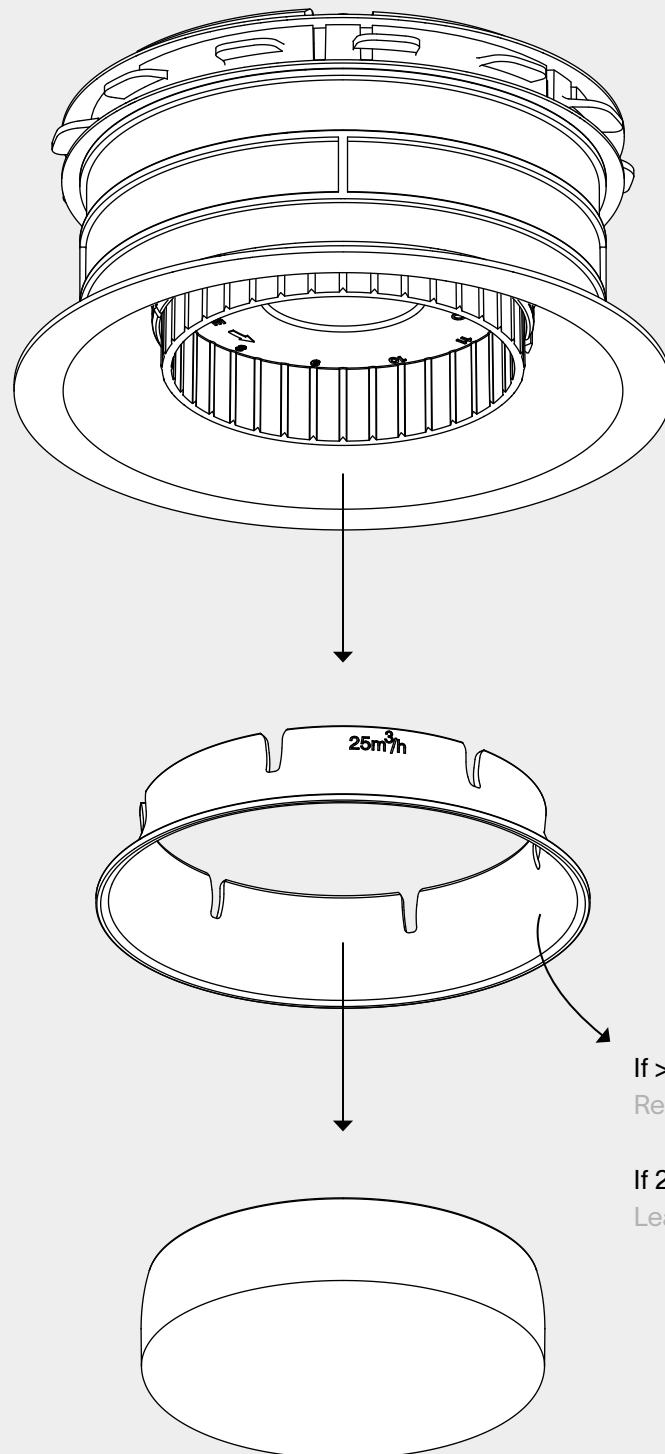
Cut a round hole (Ø132 mm).

2



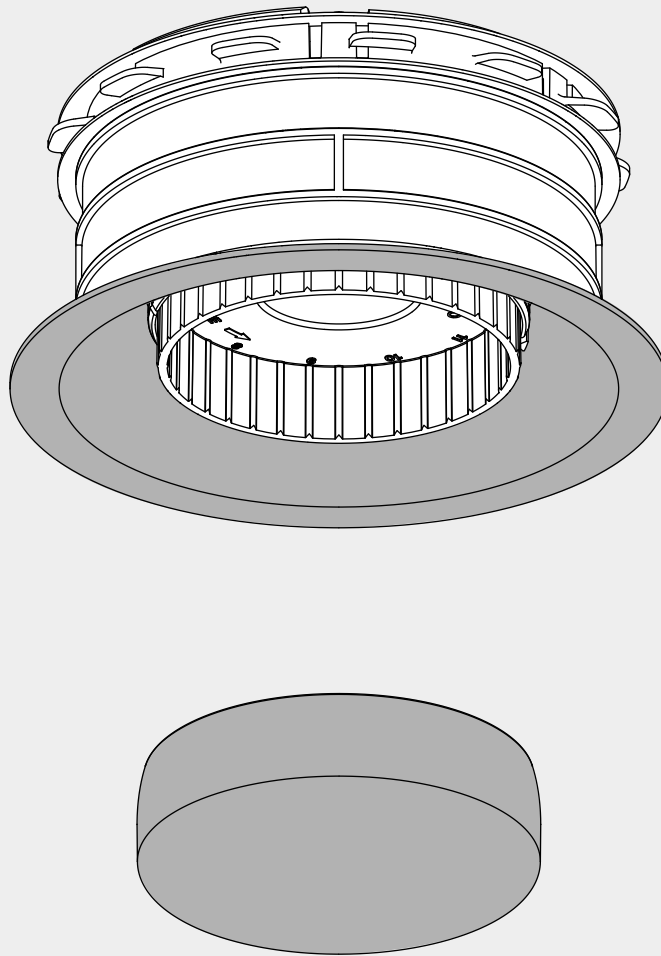
Cut off the excess length of the valve adapter (between 0 and 25 mm above final ceiling level). The remaining vertical part of the adapter (before the start of the turn) must be at least 75 mm high for the ventilation valve. The valve is not compatible with a flexible ventilation duct.

3



Remove the cover plate (and 25m³/h ring if necessary).

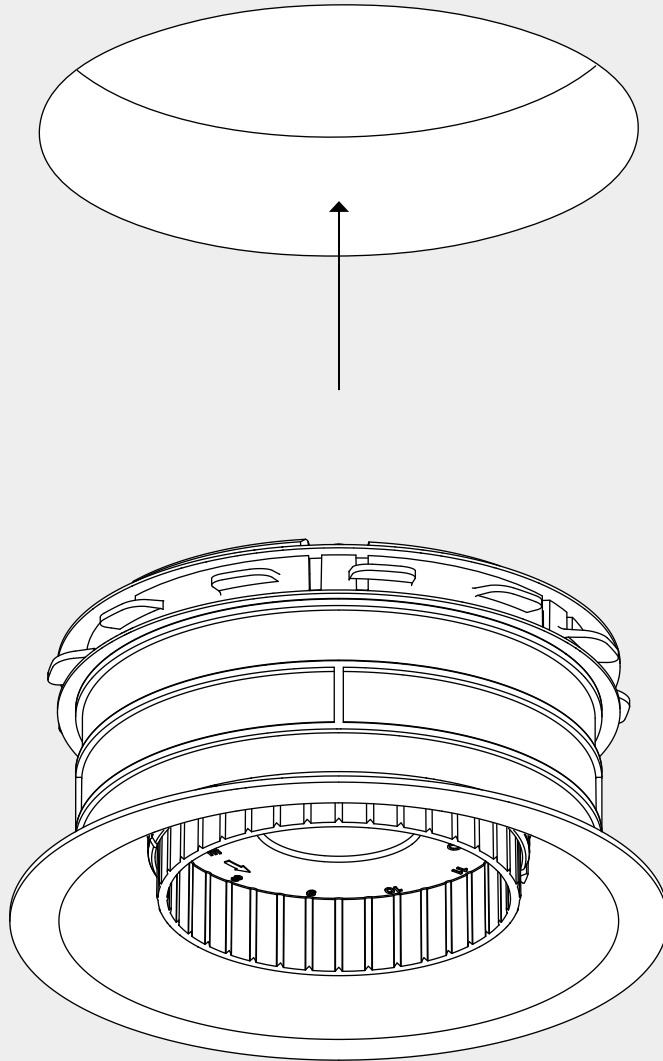
4



paintable with synthetic primer

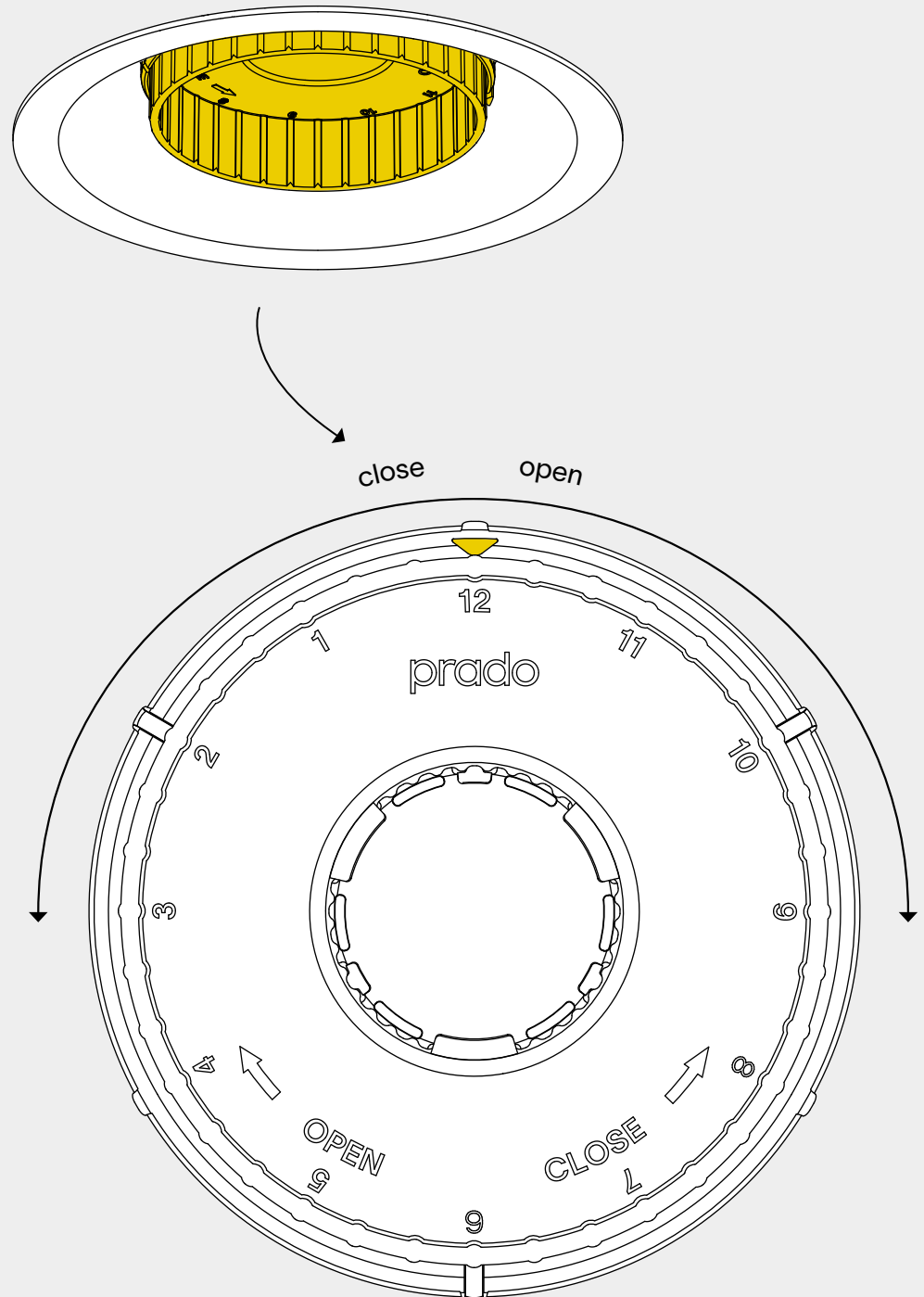
If desired the front parts can be painted with a synthetic primer.

5



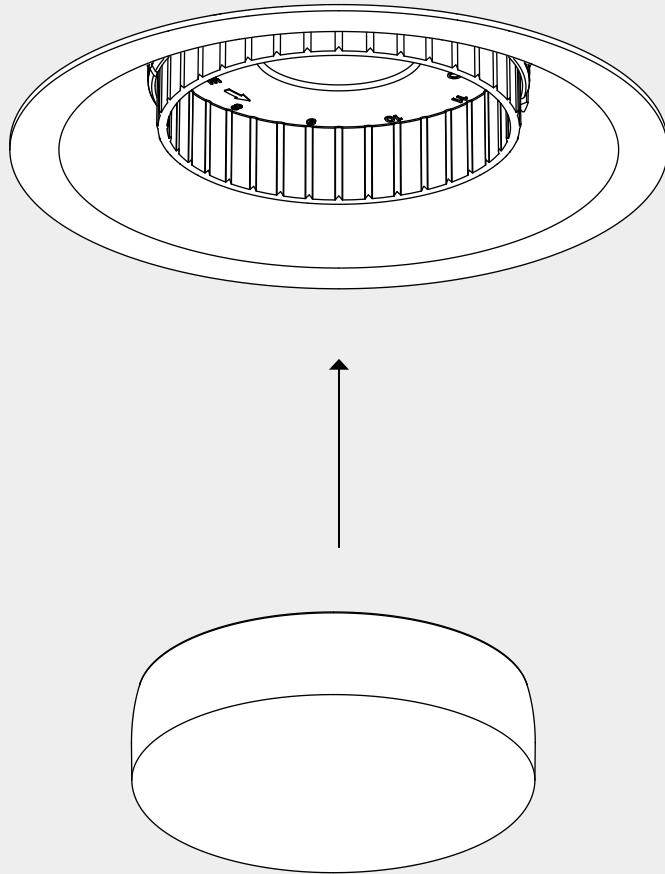
Gently insert the valve into the ceiling.

6



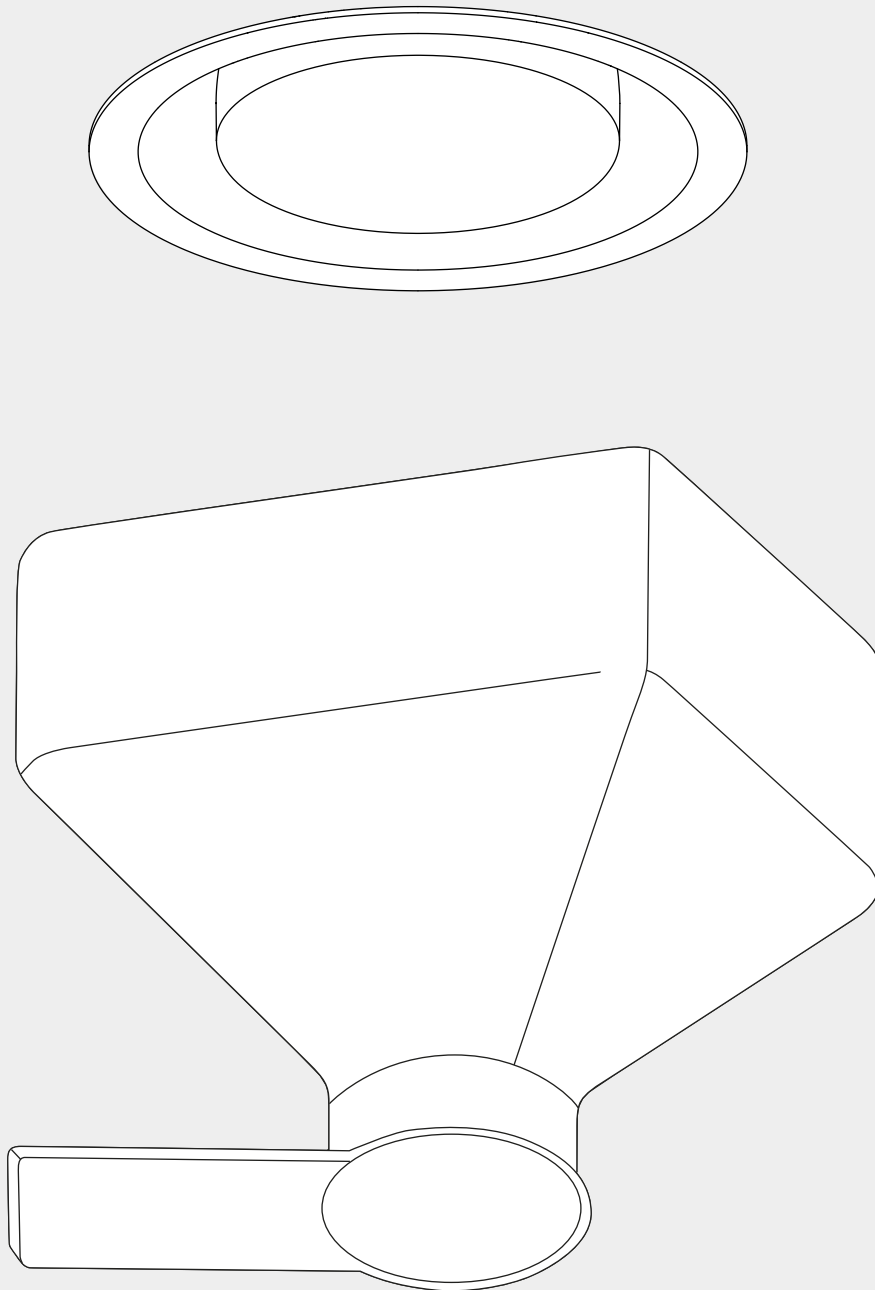
Twist the center of the valve to adjust the ventilation flow level.

7



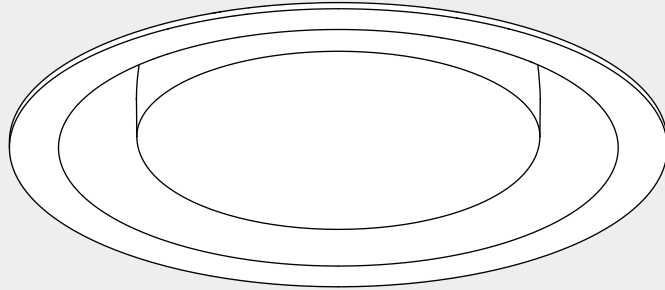
Reinstall the cover plate.

8

air flow: max. 90m³/h

Measure the ventilation flow with the cover plate on the valve and repeat steps 6 - 8 until the desired flow is reached.

9



Maintenance: clean and replace the filters of your ventilation system regularly to keep your ceiling clean.

thank you for choosing prado

prado.com

Installation must be done by skilled professionals only and instructions must be followed at all times. Warranty will not apply in case of wrongful use or if unskilled personnel attempts to repair a product.